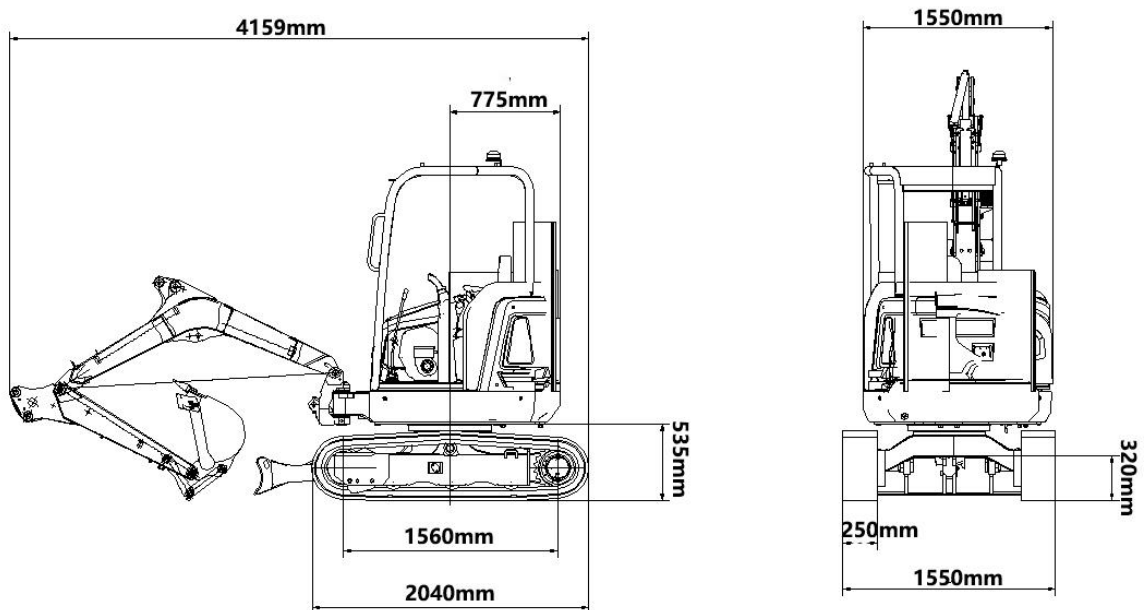
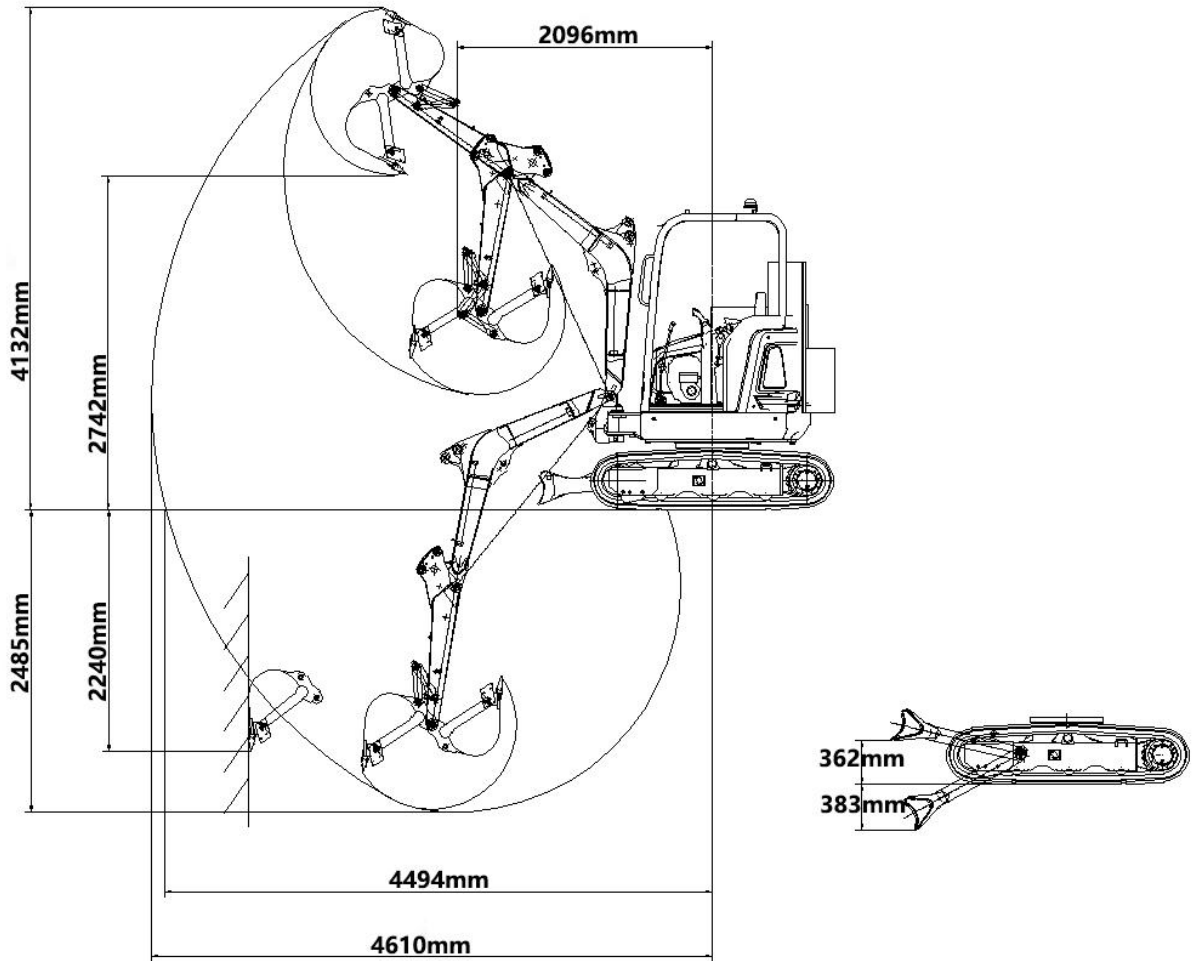




<b>SPECIFICATION</b>			
Operating weight		kg	2810
Bucket capacity		M <sup>3</sup>	0.08
Working device form			Backhoe
Engine	Brand		Yanmar
	Displacement	L	1
	Rated power/rpm	kw/r/min	15.2/2500
Speed	Max. Travelling speed	km/h	2/3.2
	Swing speed rpm	rpm	11.5
	Max. Grade ability		58/30°
Track	Ground pressure	KPa	30.5
	Track material		Rubber track
Hydraulic and liquid capacity	Pump type		Gear pump
	Pressure	MPa	22
	Displacement	(L/min)	67.2
	Hydraulic oil tank capacity	(L)	28
	Fuel tank capacity	(L)	35
<b>OPERATING RANGE</b>			
Max. digging radius on ground		mm	4494
Max. digging radius		mm	4610
Max. digging depth		mm	2485
Max. digging height		mm	4132
Max. dumping height		mm	2742

Maximum vertical digging depth	mm	2240
Minimum turning radius	mm	2096
Maximum Lift of Dozer blade	mm	362
Maximum depth of Dozer blade	mm	383
<b>MAIN DIMENSION</b>		
Wheel base	mm	1560
Track length	mm	2040
Upper chassis ground clearance	mm	535
Counter weight turning radius	mm	775
Chassis width	mm	1550
Track width	mm	250
Total length	mm	4159
Total height	mm	2560





## **J Mac Excavators Ltd**

Tel: +44 (0)1564 336633 [www.jmacuk.com](http://www.jmacuk.com) [sales@jmacuk.com](mailto:sales@jmacuk.com)

Registered Company Number: 11291171

Registered Office: Whitehouse Farm, Malthouse Lane, Earlswood, Solihull, B94 5DX, England